

SMITH DESIGN GROUP, INC.

307 Church Street Suite B
LaGrange, Georgia 30240
Phone (706) 882-5511 Fax (706) 883-7777

Build-out of Suite 300
Medical Park at Lee's Crossing
Architect's Project No. 0820
July 2, 2008

ADDENDUM NUMBER ONE

The Bidding Documents are modified as follows:

PART 1.00 DRAWINGS

1.01 Sheet A2-2

- a. Delete reference under Keynote 1 for Add. Alt. No. 3

1.02 Sheet A1-4

- a. At door 320 new exterior door refer to attached sheet ADD1-1A dated 18 June 2008 for revised details for this door installation.

PART 2.00 - PROJECT MANUAL

NO ITEMS INCLUDED

PART 3.00 ADDENDA

NO ITEMS INCLUDED

PART 4.00 - APPROVED MANUFACTURERS

NO ITEMS INCLUDED

PART 5.00 - ATTACHMENT

5.01 Drawings

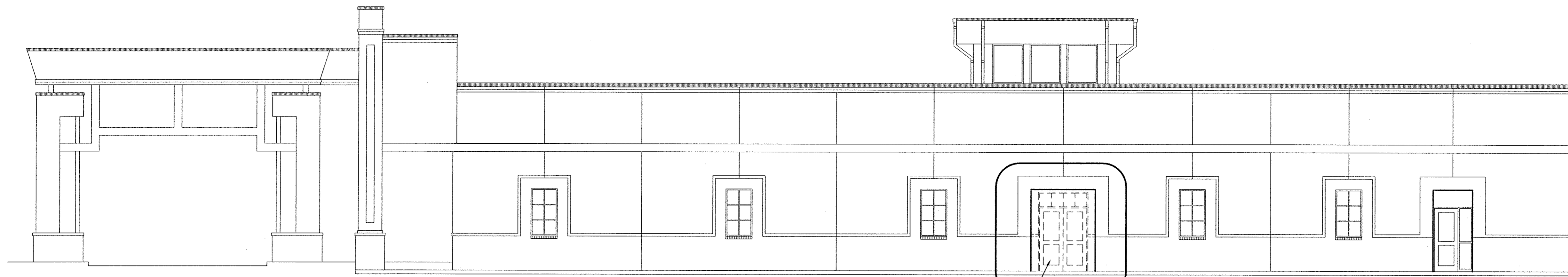
- a. Drawing ADD1-1A, dated 18 June 2008, 24" x 36" attached hereto.

PART 6.00 - GENERAL CLARIFICATIONS

NO ITEMS INCLUDED

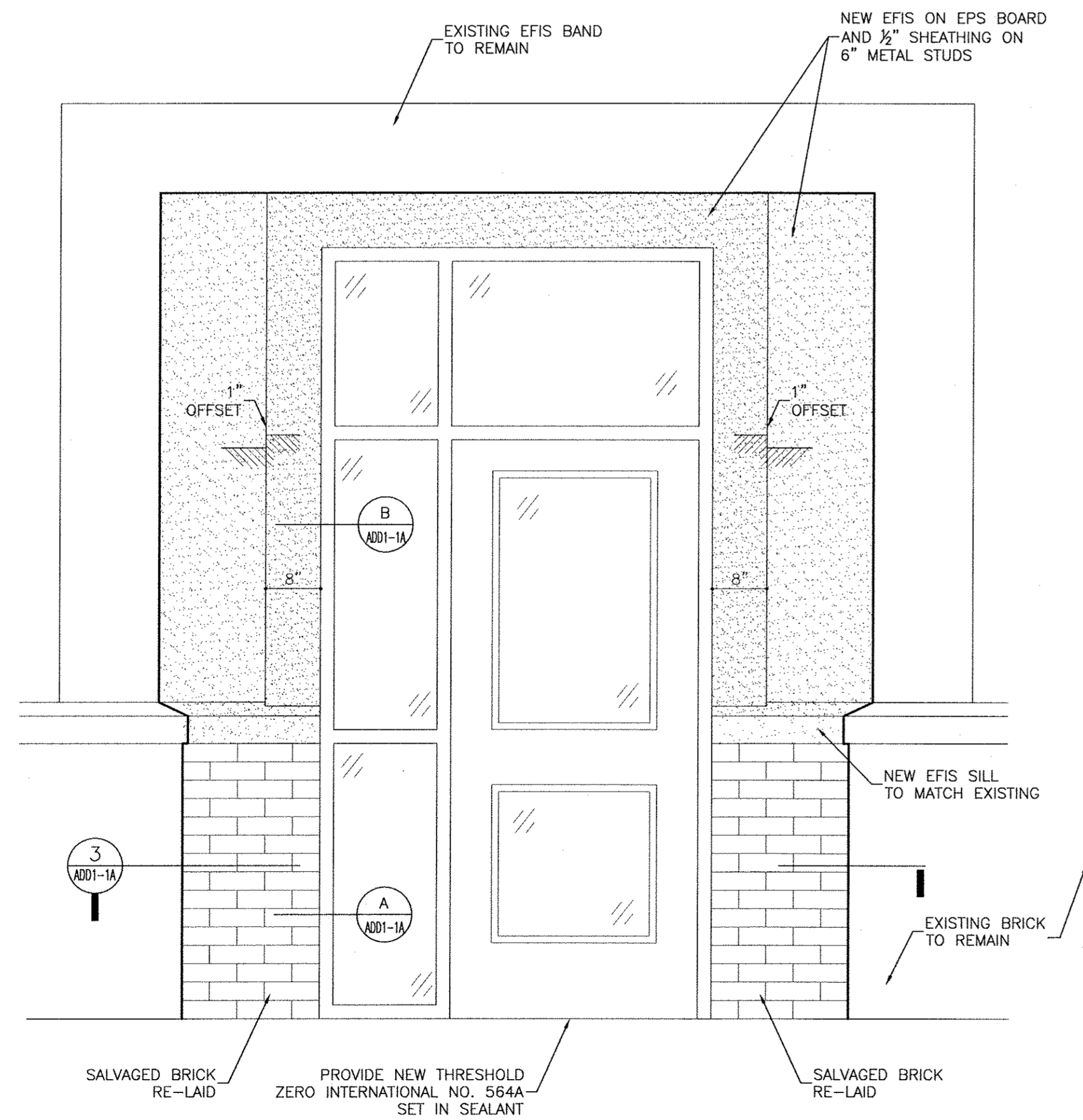
END OF ADDENDUM NUMBER ONE

AD1-1*

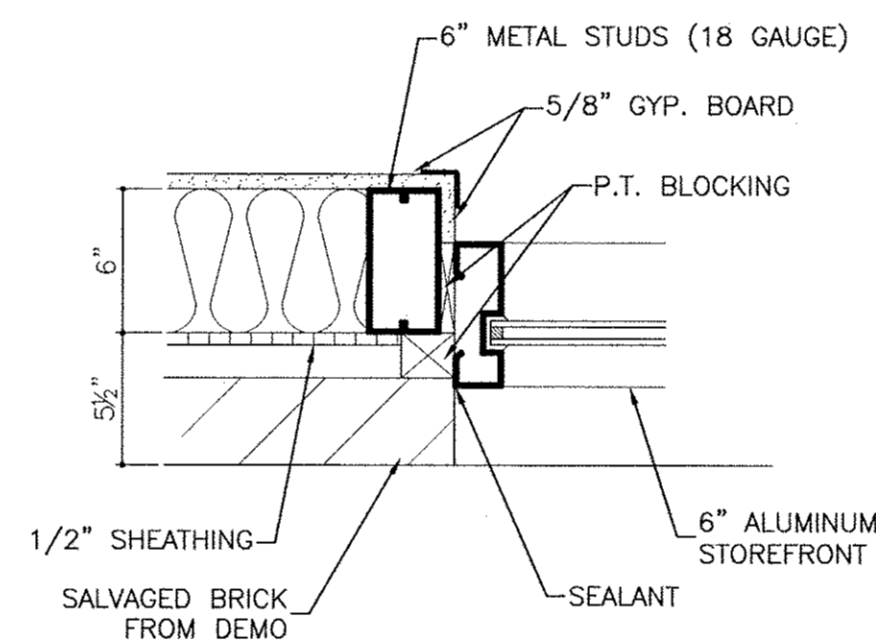


REMOVE EXISTING DOORS, FRAME, WALL AS REQUIRED FOR NEW DOOR, FRAME, WALL.

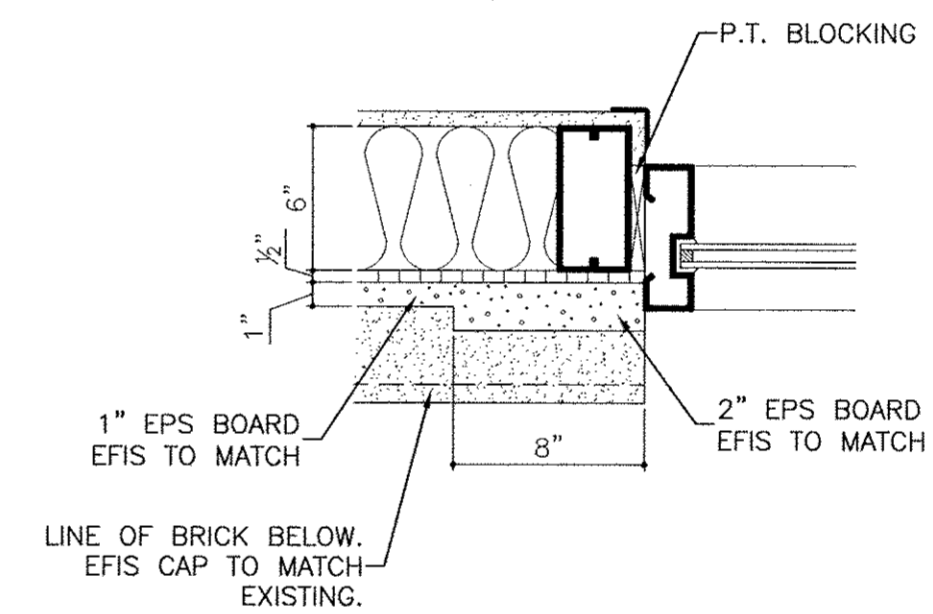
1 EXISTING ELEVATION
SCALE: 3/4" = 1'-0"



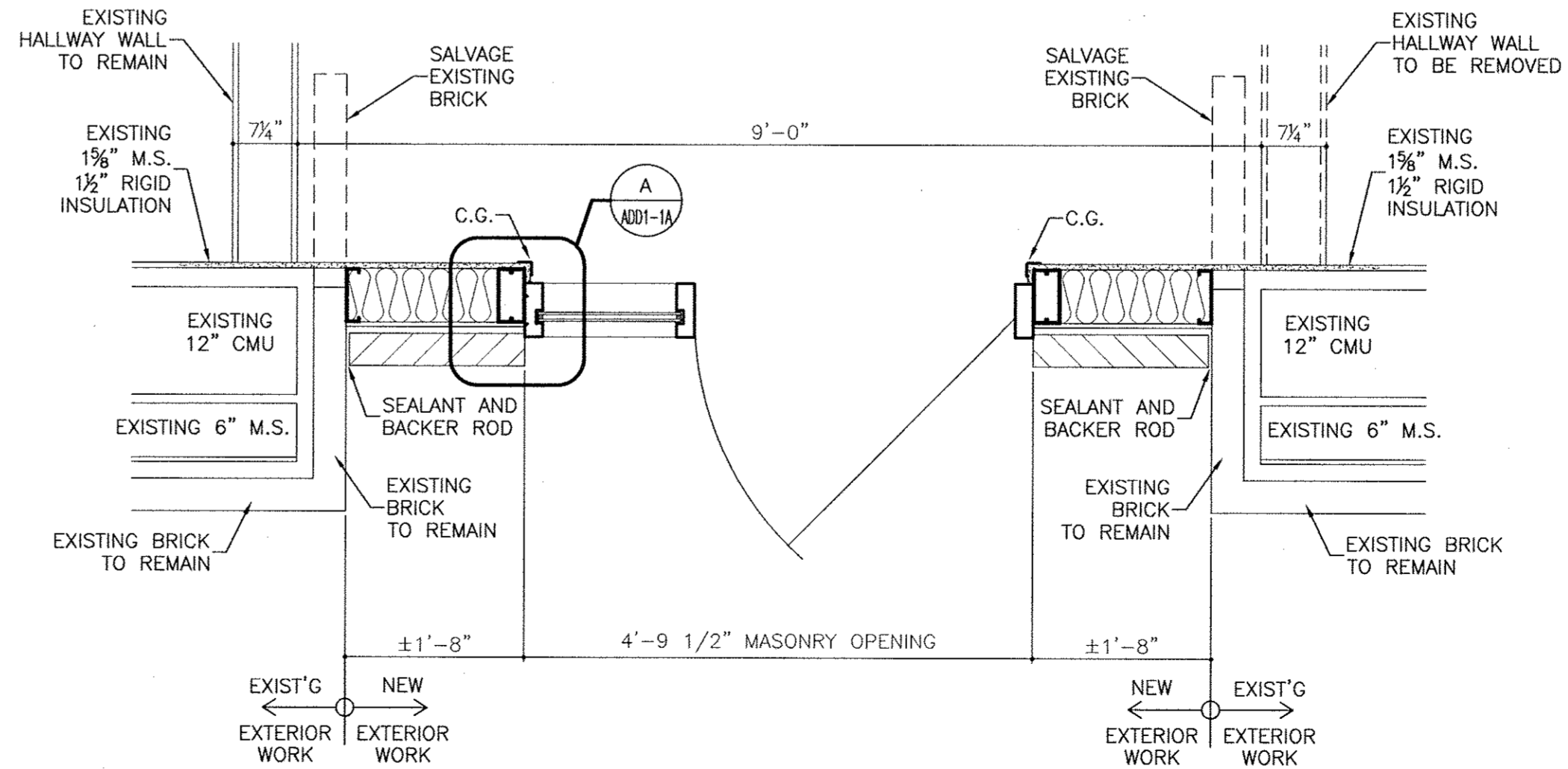
2 ENTRY ELEVATION
SCALE: 3/4" = 1'-0"



A JAMB DETAIL
SCALE: 1 1/2" = 1'-0"



B JAMB DETAIL
SCALE: 1 1/2" = 1'-0"



3 ENTRY PLAN
SCALE: 3/4" = 1'-0"



PROJECT TITLE
MEDICAL SUITE 300
BUILD-OUT FOR SUITE 300
MEDICAL PARK AT LEE'S CROSSING
1602 VERNON ROAD
LAGRANGE, GEORGIA

ADDENDUM NO. 1
ENTRANCE DETAILS

SHEET TITLE
SMITH DESIGN GROUP, INC.
Suite B
Georgia
307 Church Street
LaGrange
Phone (706) 882-5511
Fax (706) 883-7777



DRAWN ANB
CHECKED GMS
JOB NO. 0820
DATE 18 JUN 2008

SHEET
ADD1-1A